

SC-130N

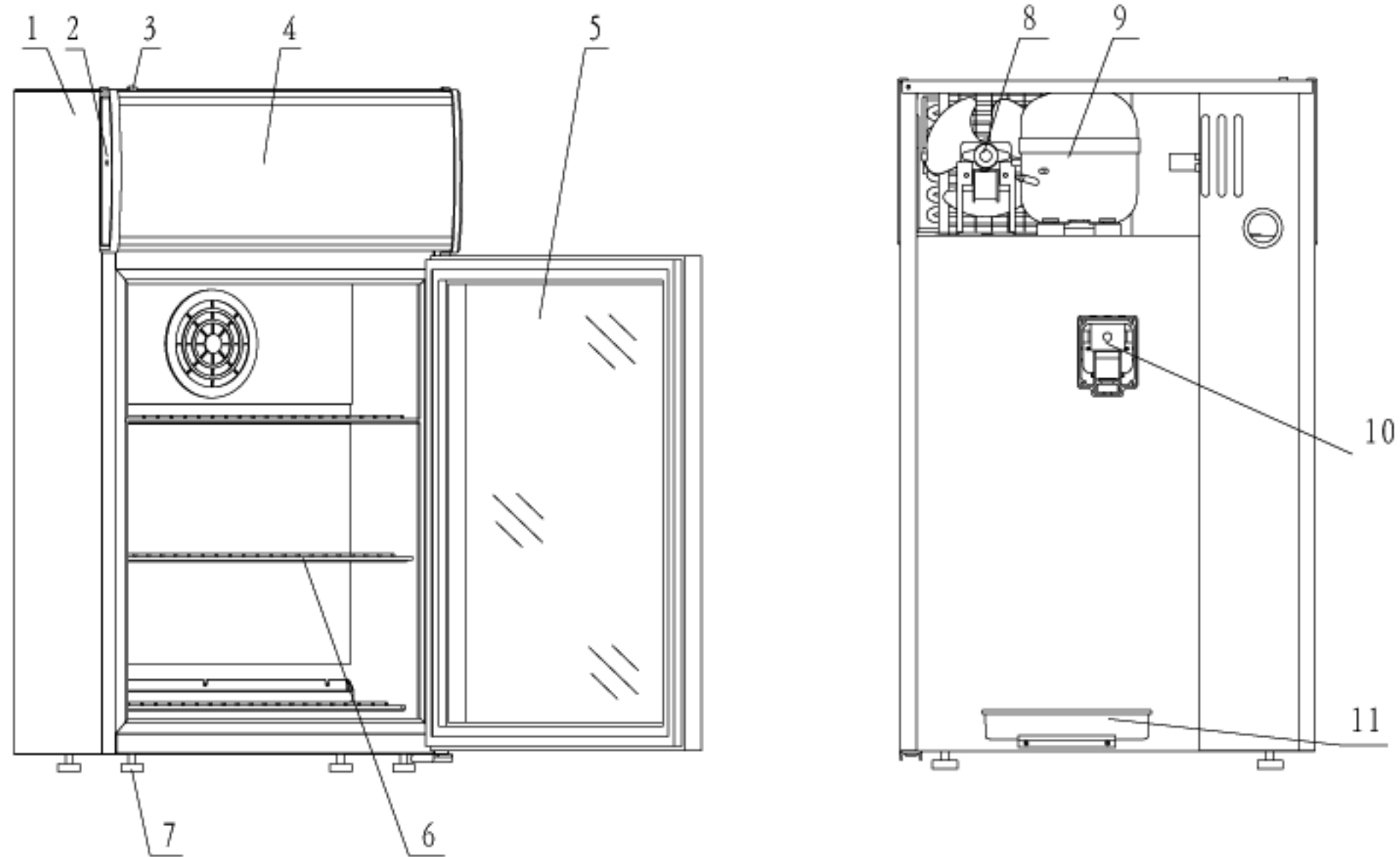
COMMERCIAL COOLER

INSTRUCTION MANUAL

TABLE OF CONTENTS

IDENTIFICATION OF PARTS.....	1
INSTALLATION.....	1
INSTRUCTION FOR CORRECT AND EFFICIENT USE.....	2
PACKING AND TRANSPORTATION.....	3
CAUTIONS FOR OPERATION.....	4
MAINTENANCE AND TROUBLESHOOTING.....	4
HOW TO REPLACE LAMP.....	5
CIRCUIT DIAGRAM.....	6

IDENTIFICATION OF PARTS:



- | | |
|---------------------|------------------------------------|
| 1. Exterior Cabinet | 2. Side Panel of Lamp Compartment |
| 3. Lamp Switch | 4. Front Panel of Lamp Compartment |
| 5. Door | 6. Shelf |
| 7. Leveling Legs | 8. Fan (A) |
| 9. Compressor | 10. Fan (B) |
| 11. Drip Tray | |

INSTALLATION:

- ✧ Install your COOLER on a solid and level floor (other than carpet). This will ensure a vibration and noise-free operation. Adjust the leveling legs in and out accordingly to stabilize the COOLER horizontally. If the legs are not properly adjusted, the COOLER may be unstable and result in excess noise or vibration.
- ✧ The COOLER should be installed with a minimum clearance of 6 inches on its sides, rear and top.

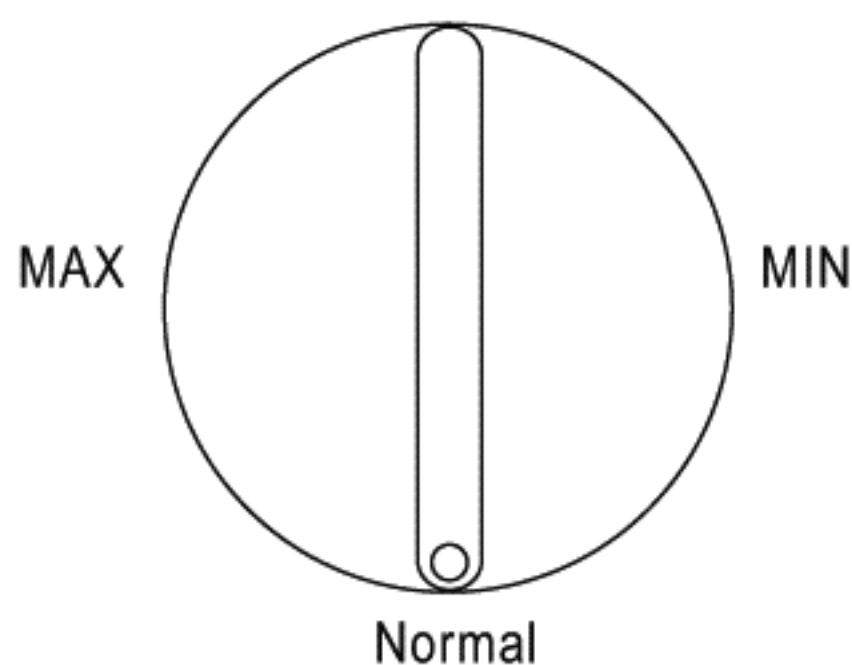
- ✧ It is not advisable to install the COOLER directly adjacent to a kitchen sink as moisture from this location could cause premature corrosion to the components of your new COOLER.
- ✧ Do not install your new COOLER in direct sunlight or near a range of heater. Such external sources of heat may affect the proper storage temperature and compromise the delicate taste and features of your wine.

CAUTION: Do not use extension cords.

WARNING: Risk of child entrapment. Before you throw away your old refrigerator: take off the door. Leave the shelves in place so that children may not easily climb inside.

INSTRUCTIONS FOR CORRECT AND EFFICIENT USE:

- ✧ The COOLER requires a power supply of 115VAC and 60Hz. Make certain that you connect the COOLER to a proper voltage supply.
- ✧ Storage area temperature can be regulated by adjusting cold control. The closer to “MAX” position cold control knob is set by rotating it clockwise, the lower becomes storage area temperature. Adjust as necessary. Storage area temperature will vary depending on the quantity of the beverages stored and on the frequency with which the door is opened.



Usually cold control knob should be set at “Normal” position.

- ✧ Reduce the frequency of opening the door to conserve energy and maintain proper storage temperature inside. Do not keep the door open for any longer than necessary.

- ✧ You may turn on the interior light to enhance the display of your beverages. Please note that the light can produce some heat; therefore, extended or prolonged lighting can affect inner storage temperature.
- ✧ The adjustable temperature control located on the back wall allow for a range of 30 to 46.4 , at minimum setting which is ideal for the storage of beverages.
- ✧ When the power is first turned on or when the power comes on again after an extended power outage, the COOLER may run continuously for several hours in order to cool the entire cabinet to the normal operating temperature. When the interior temperature has stabilized, the COOLER will enter the automatic control mode.
- ✧ Depending on location and usage, the COOLER's compressor may work more continuously on hot days, and work relatively less on cold days.
- ✧ Humidity is maintained within the COOLER. Therefore it may be necessary to defrost if the storage area builds 1/4 inch of frost. To do this, turn off control and wipe off with a towel. If frost does not come off easily, allow it to melt slightly, then wipe off. Drip tray will accumulate surplus water, pour out water and wipe it off with the towel. After wiping frost, reset cold control. It also may be necessary to wipe the bottom part of the storage area periodically.
- ✧ If instructions are followed according to manufacturer's specifications, the compressor unit will offer a life of worry-free operation.

PACKING AND TRANSPORTATION:

- ✧ When unpacking unit for inspection, make certain that all parts are replaced in their original position for re-transporting to further destination.
- ✧ Do not lay COOLER on its side. The angle between the cabinet and the ground should not be less than 45° .
- ✧ Do not handle or lift the COOLER by its door.
- ✧ Collision and violent vibrations should be avoided during moving and transportation.

CAUTIONS FOR OPERATION:

- ✧ When using COOLER for the first time or after it has been moved, wait for 30 minutes before plugging in to avoid damage to the compressor.
- ✧ After removing the power plug from the outlet, wait 5 minutes before plugging COOLER in again to avoid damage to the compressor.
- ✧ Make certain the COOLER is plugged into an approved circuit or outlet. To prevent accidents, do not use in an overloaded circuit or outlet. The electrical outlet should have proper ground fault protection.
- ✧ Do not use this COOLER if electrical supply outlet is questionable or does not conform to these instructions.
- ✧ Do not damage the insulation on the electrical cord or place weight on the cord. Consumers should not attempt to lengthen the power cord.
- ✧ Remove all packing prior to using the COOLER to ensure proper operation.
- ✧ Explosive containers or hazardous chemicals can not be stored in the COOLER under any circumstances.
- ✧ Be careful not to pour water or other liquids on the COOLER. Moisture on the electrical wires or components could result in an electrical hazard, short circuit or other malfunctions.
- ✧ Do not place heavy objects on the COOLER or its door, as excessive weight may affect its stability and cause the COOLER to topple over.

MAINTENANCE AND TROUBLESHOOTING:

- ✧ The COOLER does not get cold at all:
 - Check to ensure the power plug is installed properly.
 - Check the main power supply to make certain a fuse has not blown or the main circuit breaker has not tripped off.
- ✧ The COOLER does not get cold enough:
 - Is the thermostat dial set at “MIN” ?
 - Is the door being opened and closed too frequently?

- ✧ The COOLER is noisy:

Make certain the unit is properly leveled and standing firm. You may have to adjust the leveling legs.

Check to see if there may be another source of noise nearby.

The following are not malfunctions:

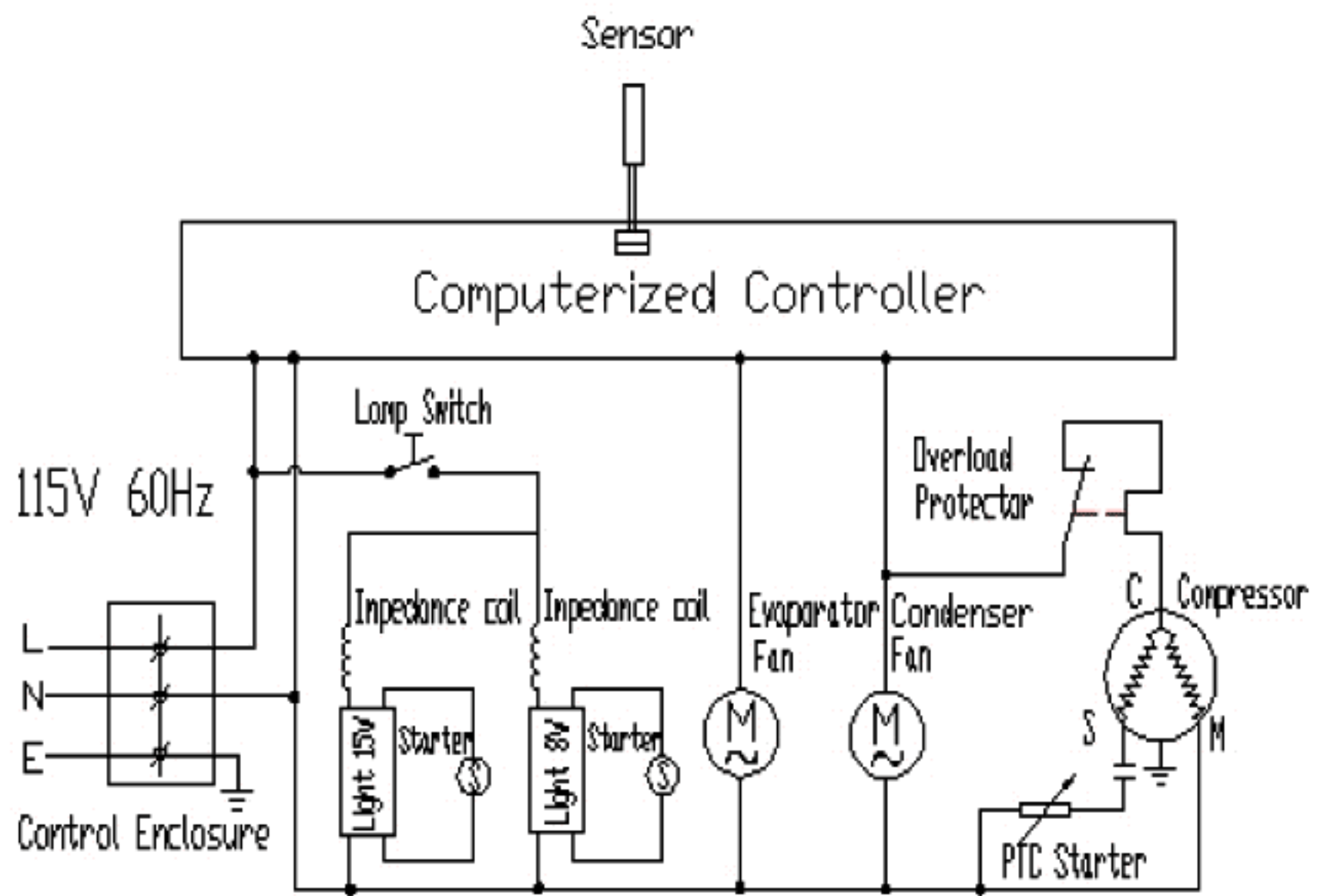
- ✧ Because of refrigerant circulation in evaporator, a common sound similar to running water may sometimes be heard when the compressor is operating.
- ✧ Sometimes there is a pit-a-pat sound when operation starts or stops.

HOW TO REPLACE LAMP:

When the lamp fails, please do as follows to replace it:

1. Lamp in the lamp compartment
 - ◆ Unplug the cooler or cut off power before removing the lamp.
 - ◆ Remove the screws on side panel of lamp compartment.
 - ◆ Remove the side and front panels of lamp compartment.
 - ◆ Replace a new 15W lamp.
 - ◆ Install the panels and tighten the screws.
2. Lamp in the inner cabinet
 - ◆ Unplug the cooler or cut off power before removing the lamp.
 - ◆ Remove the screws.
 - ◆ Remove the lamp cover gently.
 - ◆ Replace the lamp with a same size and shape one.
 - ◆ Install the light cover and tighten the screws.

CIRCUIT DIAGRAM



Vinotemp International

17631 South Susana Road • Rancho Dominguez, CA90221

310.886.3332 • FAX 310.886.3310

[Http://www. vinotemp.com](http://www.vinotemp.com) E-mail: info@vinotemp.com